

(1) SMR Code	(2) Federal Stock Number	(3) Description	(4) Unit of Meas.	(5) Qty In Unit	(6) 15-day Maintenance alw	(7) Organizational Illustration	(a) Figure No.	(b) Item No.			
Reference number & mfg. code			Usable on code		(a) 1-5	(b) 6-20	(c) 21-50	(d) 51-100	(a) Figure No.	(b) Item No.	
		1202-SERVICE BRAKES-CONTINUED									
PAOZZ	5310-797-9322	WASHER, SLOTTED: 7979332(19207)	A	EA	12	*	*	*	*	105	13
PAOZZ	2530-204-3622	LINK, ANCHOR BRAKE SHOE: 7979340(19207)	A	EA	6	*	*	*	*	105	14
XBOZZ		BRACKET: ANCHOR PIN MOUNTING 7979334(19207)	A	EA	6					105	15
PAOZZ	5310-584-7888	WASHER, LOCK: MS35338-51(96906)	A	EA	12	*	*	*	*	105	16
PAOZZ	5310-275-9460	NUT, PLAIN, HEXAGON: 7413488(19207)	A	EA	12	*	*	*	*	105	17
PAOZZ	5310-595-7237	WASHER, LOCK: (COMPONENT OF PARTS KIT, GUIDE PIN FSN, 2530-137-9275) MS35333-42(96906)	A	EA	12	*	*	*	*	105	18
PAOZZ	5310-732-0559	NUT, PLAIN, HEXAGON: COMPONENT OF PARTS KIT, GUIDE PIN FSN 2530-137-9275) MS51968-8(96906)	A	EA	12	*	*	*	*	105	19
PAOZZ	2530-925-0139	PIN: GUIDE, BRAKE SHOE 11593201(19207)	A	EA	12	*	*	*	*	105	20
PAOZZ	2530-797-9339	SPRING: RETRACTING, BRAKESHOE 7409383(19207)	A	EA	6	*	*	*	*	105	21
PAOZZ	5315-842-3044	PIN, COTTER: BRAKESHOE ANCHOR PIN MS24665-283(96906)	A	EA	24	*	*	*	*	105	22
PAOZZ	2530-232-6020	COVER: MOUNTING PLATE, DUST 8758357(19207)	A	EA	1	*	*	*	*	105	23
PAOZZ	2530-461-3835	PIN, PIVOT, BRAKE SHOE: 7979271(19207)	A	EA	12	*	*	*	*	105	24
PAOZZ	2530-137-9275	PARTS KIT, GUIDE PIN: SERVICE BRAKE 11677781(19207) CONSISTING OF: 1-SPRING 11663025(19207) 1-GUIDE PIN 11663231(19207) 3-WASHERS 11663232(19207) 1-SPRING 11663233(19207) 1-NUT 11663236(19207) 1-NUT MS51968-8(96906)	A			*	*	*	*	105	19

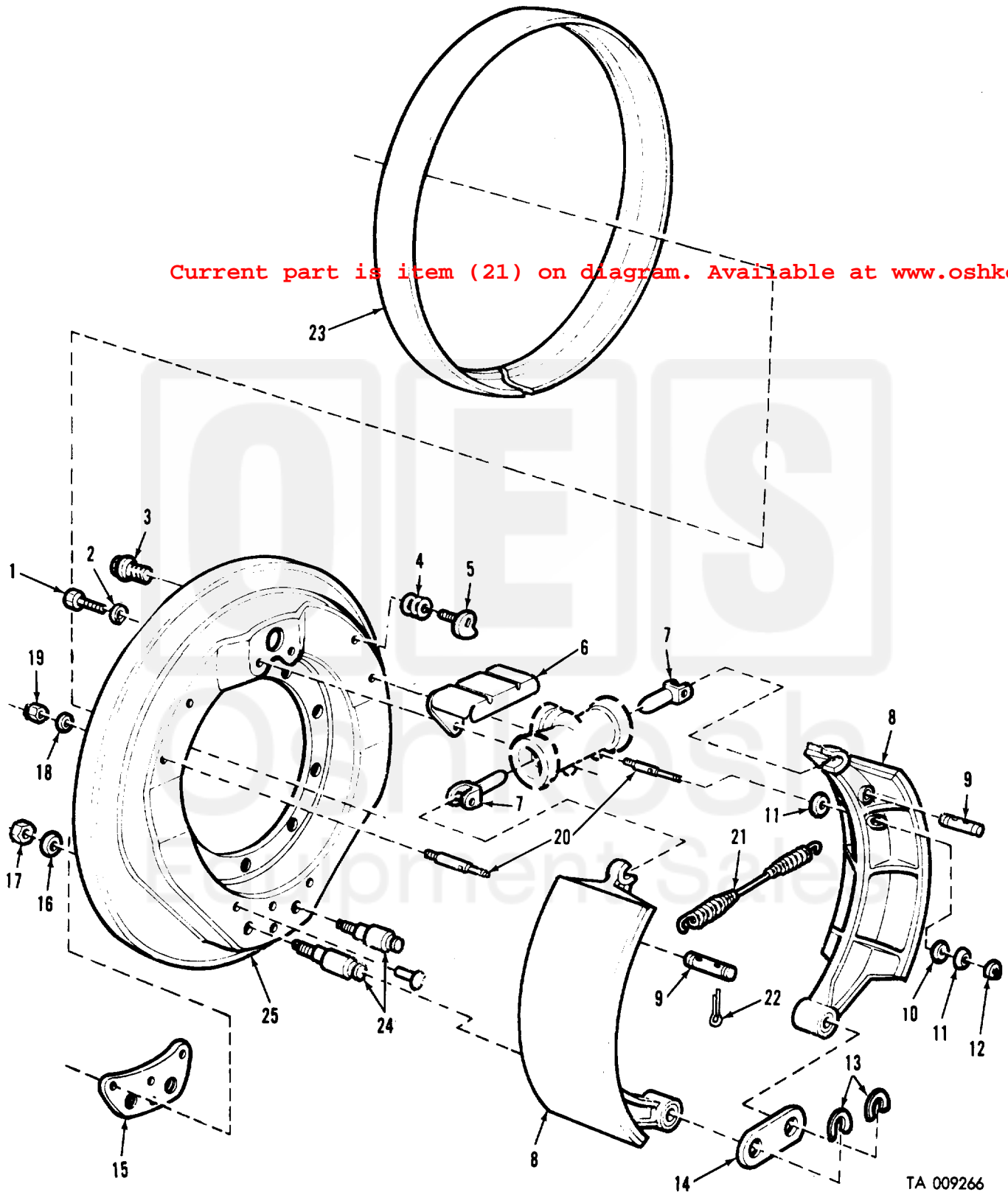


Figure 105. Service brake.